

Архангельск (8182)63-90-72
Астана (7172)727-132
Астрахань (8512)99-46-04
Барнаул (3852)73-04-60
Белгород (4722)40-23-64
Брянск (4832)59-03-52
Владивосток (423)249-28-31
Волгоград (844)278-03-48
Вологда (8172)26-41-59
Воронеж (473)204-51-73
Екатеринбург (343)384-55-89
Иваново (4932)77-34-06

Ижевск (3412)26-03-58
Иркутск (395)279-98-46
Казань (843)206-01-48
Калининград (4012)72-03-81
Калуга (4842)92-23-67
Кемерово (3842)65-04-62
Киров (8332)68-02-04
Краснодар (861)203-40-90
Красноярск (391)204-63-61
Курск (4712)77-13-04
Липецк (4742)52-20-81

Магнитогорск (3519)55-03-13
Москва (495)268-04-70
Мурманск (8152)59-64-93
Набережные Челны (8552)20-53-41
Нижний Новгород (831)429-08-12
Новокузнецк (3843)20-46-81
Новосибирск (383)227-86-73
Омск (3812)21-46-40
Орел (4862)44-53-42
Оренбург (3532)37-68-04
Пенза (8412)22-31-16

Пермь (342)205-81-47
Ростов-на-Дону (863)308-18-15
Рязань (4912)46-61-64
Самара (846)206-03-16
Санкт-Петербург (812)309-46-40
Саратов (845)249-38-78
Севастополь (8692)22-31-93
Симферополь (3652)67-13-56
Смоленск (4812)29-41-54
Сочи (862)225-72-31
Ставрополь (8652)20-65-13

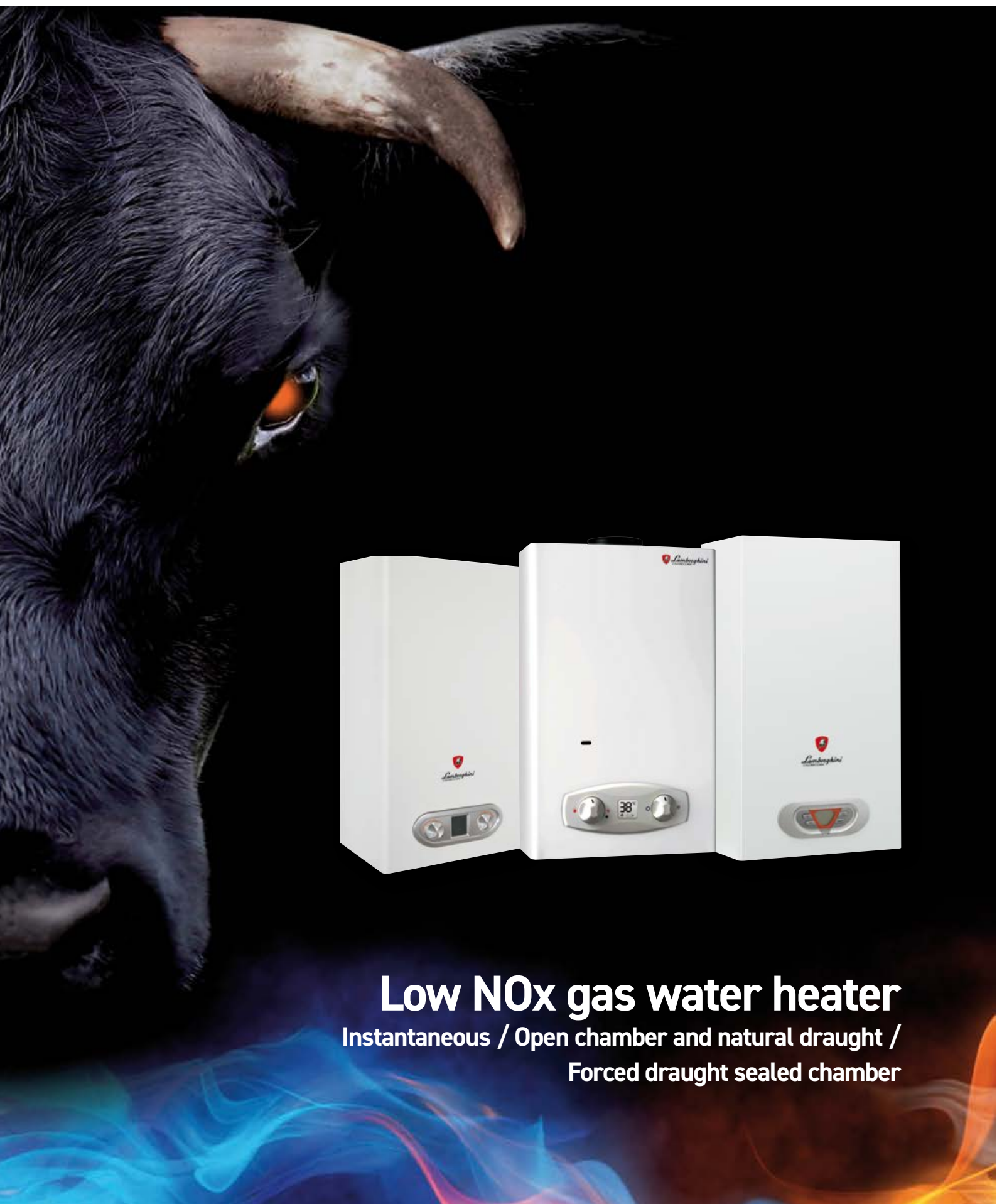
Сургут (3462)77-98-35
Тверь (4822)63-31-35
Томск (3822)98-41-53
Тула (4872)74-02-29
Тюмень (3452)66-21-18
Ульяновск (8422)24-23-59
Уфа (347)229-48-12
Хабаровск (4212)92-98-04
Челябинск (351)202-03-61
Череповец (8202)49-02-64
Ярославль (4852)69-52-93

Киргизия (996)312-96-26-47

Россия (495)268-04-70

Казахстан (772)734-952-31

<https://lamborghini.nt-rt.ru/> || hgc@nt-rt.ru



Low NOx gas water heater
Instantaneous / Open chamber and natural draught /
Forced draught sealed chamber

GAS WATER HEATER

EFFECTIVE / EASY / NICE AND SMART

EFFECTIVE

The ECO range has been designed according to the strict efficiency parameters of the European ErP Directive. In practice, they can produce a lot of hot water at a low cost, while respecting the environment and with minimal polluting emissions. They can also be very easily integrated on a solar thermal system for maximum efficiency and comfort.

EASY

ECO water heaters are extremely simple to install and can be interchanged with previous series. Although they are very compact, they have been designed and built for the internal components to be easily accessed and for easy maintenance.

NICE AND SMART

The designers of the ECO project have created "friendly" aesthetics that can easily be integrated with the most diverse furnishing styles. The knob or button controls have been designed to be easy to use and understand. All Lamborghini CaloreClima gas water heaters are fitted with a user interface display.

SI ECO F

Gas water heater with sealed chamber, modulating heat power and electronic control of combustion. Emission of LOW NOx fumes **and SUN EASY system to be directly coupled to a solar thermal system.**



SI ECO 7F

POWER OUTPUT FROM 4.9 TO 12.4 kW
DHW FLOW RATE 7.1 l/min ΔT 25°C

SI ECO 10F

POWER OUTPUT FROM 7.6 TO 17.8 kW
DHW FLOW RATE 10.2 l/min ΔT 25°C

SI ECO 11F

POWER OUTPUT FROM 19.5 TO 5.5 kW
DHW FLOW RATE 11.2 l/min ΔT 25°C

SI ECO 12F

POWER OUTPUT FROM 7.6 TO 20.9 kW
DHW FLOW RATE 12 l/min ΔT 25°C

SI ECO 14F

POWER OUTPUT FROM 24.2 TO 9.4 kW
DHW FLOW RATE 13.9 l/min ΔT 25°C

SI ECO 17F

POWER OUTPUT FROM 29.6 TO 11.5 kW
DHW FLOW RATE 17 l/min ΔT 25°C

SI ECO C

Gas water heater with open chamber and natural draught, with modulating heat power. Emission of LOW NOx fumes **and SUN EASY system to be directly coupled to a solar thermal system.**



SI ECO 11C

POWER OUTPUT FROM 19.4 TO 7.2 kW
DHW FLOW RATE 11.5 l/min ΔT 25°C

JEREZ ECO

Gas water heater with open chamber and natural draught, with adjustable heat power with fumes emission of **LOW NOx** type



JEREZ ECO 6

POWER OUTPUT FROM 5.4 TO 10.4 kW
DHW FLOW RATE 6 l/min ΔT 25°C

JEREZ ECO 11

POWER OUTPUT FROM 18.8 TO 7.1 kW
DHW FLOW RATE 11 l/min ΔT 25°C

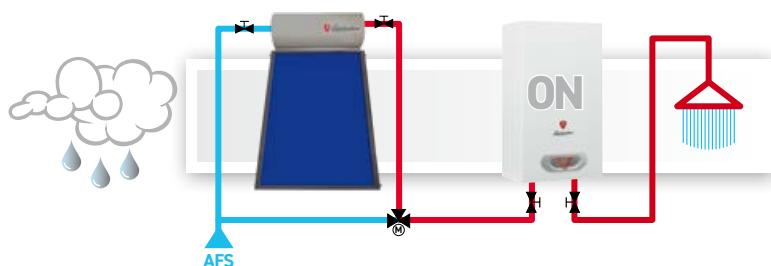
JEREZ ECO 14

POWER OUTPUT FROM 23.7 TO 9.5 kW
DHW FLOW RATE 13.9 l/min ΔT 25°C

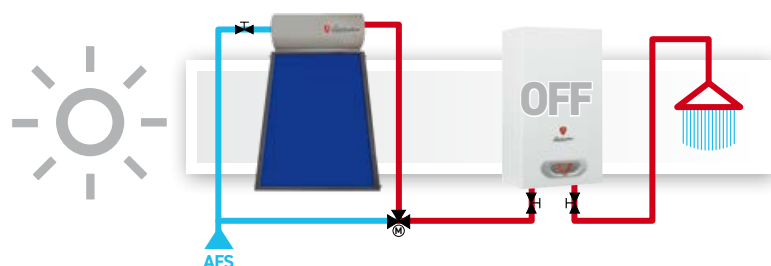
SUN EASY

EASY... ECONOMIC... INGENUOUS

The SI ECO range has been designed to be easily integrated with the solar thermal systems, with natural or forced circulation. The temperature of the water coming from the solar circuit is constantly monitored and the water heater burner is only switched on if it is not hot enough.



In case of insufficient irradiation and therefore the domestic hot water being modestly pre-heated, the water heater will contribute with the necessary heat to reach the required setpoint temperature.



If the sun and the solar system fulfil their "duty", no integration from the water heater will be necessary; the hot water will be conveyed to the tap, without additional devices being required, with the mixing of the thermostatic valves.

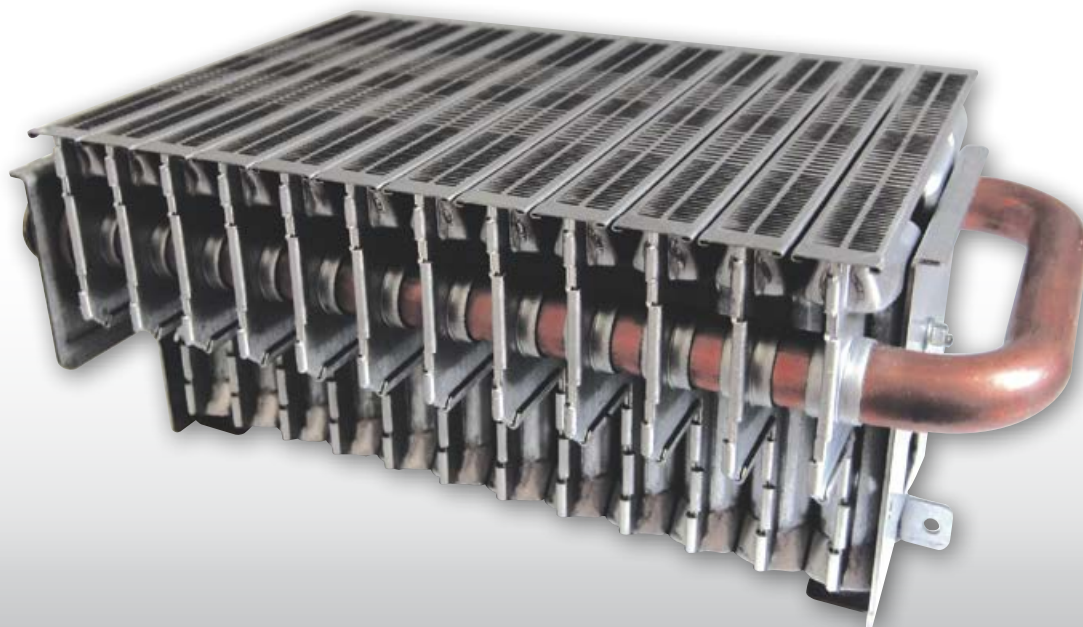
For the desired temperature to be reached, SUN EASY allows for significant savings even during the colder seasons, exploiting and integrating even the smallest solar contribution, which is otherwise lost.

THE CORE OF WATER HEATERS

All ECO series water heaters conform to the very strict restrictions on the emission of fumes into the atmosphere, imposed by European regulations.

The burners of the ECO range use special technology, which consists in maintaining the temperature of the flame very low and keeping cooled burner sections.

This method allows to go far below the limits imposed by the ErP directive, which sets the NOx limit at 120 mg/kWh.

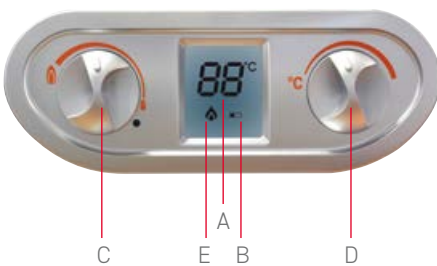


SI ECO C

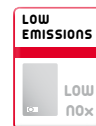

ERP



GAS WALL-MOUNTED WATER HEATER WITH NATURAL DRAUGHT AND OPEN CHAMBER, OF LOW NO_x TYPE

- Copper heat exchanger
- Interface display
- Power modulation
- Methane / LPG / Propane air
- Solar systems
- Battery power supply


KEY

- A** Display of domestic hot water temperature
- B** Battery level signal
- C** Burner power/off regulation
- D** Temperature regulation
- E** Burner on symbol



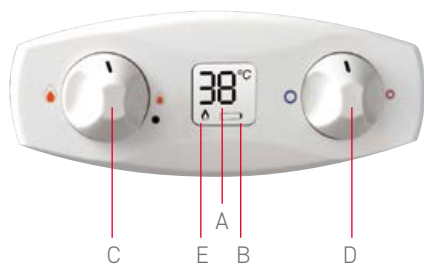
MODEL			ECO C 11
ERP Class		(Class G - A)	
Declared load profile			M
Sound power level		dB	57
NO _x emission		mg/kWh	38
Nominal heat flow rate	Max	kW	21.7
Output power	Max / Min	kW	19.4 / 7.2
Operating pressure	Max / Min	bar	10 / 0.2
Maximum DHW production	Δt 25°C / Δt 30°C	l/min	11.2 / 9.3
Range of temperature	Min / Max	°C	40 / 65
Empty weight		Kg	11.5
Electric power supply		V/Hz	Batteries

JEREZ ECO

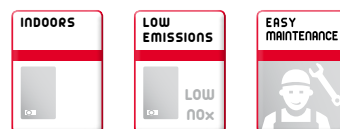


GAS WALL-MOUNTED WATER HEATER WITH NATURAL DRAUGHT AND OPEN CHAMBER, OF LOW NOx TYPE

- Copper heat exchanger
- Interface display
- Power modulation
- Methane / LPG / Propane air
- Battery power supply



- KEY**
- A** Display of domestic hot water temperature
 - B** Battery level signal
 - C** Burner power/off regulation
 - D** Temperature regulation
 - E** Burner on symbol



MODEL			ECO 6	ECO 11	ECO 14
ERP Class		(Class G - A)			
Declared load profile			XS	M	M
Sound power level		dB	57	58	59
NOx emission		mg/kWh	52	37	42
Nominal heat flow rate	Max	kW	11.8	21.7	26.9
Output power	Max / Min	kW	10.4 / 5.4	19.4 / 7.2	24.1 / 9.0
Operating pressure	Max / Min	bar	10 / 0.2	10 / 0.2	10 / 0.2
Maximum DHW production	Δt 25°C / Δt 30°C	l/min	6.0 / 5.0	11.2 / 9.3	13.8 / 11.5
Range of temperature	Min / Max	°C	40 / 65	40 / 65	40 / 65
Empty weight		Kg	10.5	11.5	13
Electric power supply		V/Hz	Batteries	Batteries	Batteries

Архангельск (8182)63-90-72
 Астана (7172)727-132
 Астрахань (8512)99-46-04
 Барнаул (3852)73-04-60
 Белгород (4722)40-23-64
 Брянск (4832)59-03-52
 Владивосток (423)249-28-31
 Волгоград (844)278-03-48
 Вологда (8172)26-41-59
 Воронеж (473)204-51-73
 Екатеринбург (343)384-55-89
 Иваново (4932)77-34-06

Ижевск (3412)26-03-58
 Иркутск (395)279-98-46
 Казань (843)206-01-48
 Калининград (4012)72-03-81
 Калуга (4842)92-23-67
 Кемерово (3842)65-04-62
 Киров (8332)68-02-04
 Краснодар (861)203-40-90
 Красноярск (391)204-63-61
 Курск (4712)77-13-04
 Липецк (4742)52-20-81

Магнитогорск (3519)55-03-13
 Москва (495)268-04-70
 Мурманск (8152)59-64-93
 Набережные Челны (8552)20-53-41
 Нижний Новгород (831)429-08-12
 Новокузнецк (3843)20-46-81
 Новосибирск (383)227-86-73
 Омск (3812)21-46-40
 Орел (4862)44-53-42
 Оренбург (3532)37-68-04
 Пенза (8412)22-31-16

Пермь (342)205-81-47
 Ростов-на-Дону (863)308-18-15
 Рязань (4912)46-61-64
 Самара (846)206-03-16
 Санкт-Петербург (812)309-46-40
 Саратов (845)249-38-78
 Севастополь (8692)22-31-93
 Симферополь (3652)67-13-56
 Смоленск (4812)29-41-54
 Сочи (862)225-72-31
 Ставрополь (8652)20-65-13

Сургут (3462)77-98-35
 Тверь (4822)63-31-35
 Томск (3822)98-41-53
 Тула (4872)74-02-29
 Тюмень (3452)66-21-18
 Ульяновск (8422)24-23-59
 Уфа (347)229-48-12
 Хабаровск (4212)92-98-04
 Челябинск (351)202-03-61
 Череповец (8202)49-02-64
 Ярославль (4852)69-52-93

Киргизия (996)312-96-26-47

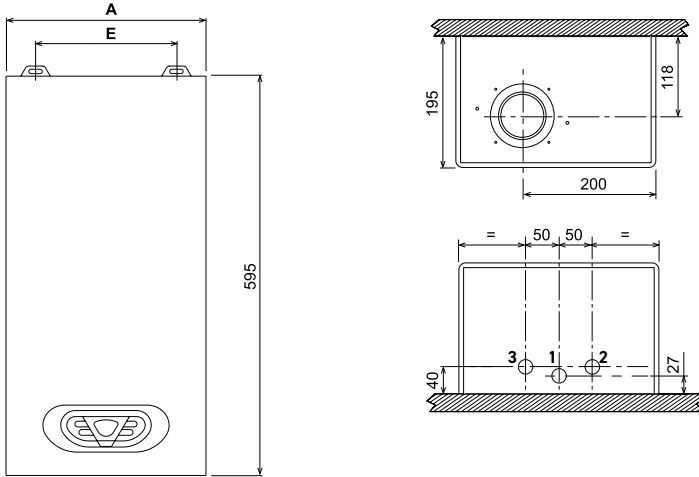
Россия (495)268-04-70

Казахстан (772)734-952-31

<https://lamborghini.nt-rt.ru/> || hgc@nt-rt.ru

DIMENSIONAL DATA

TECHNICAL DRAWINGS

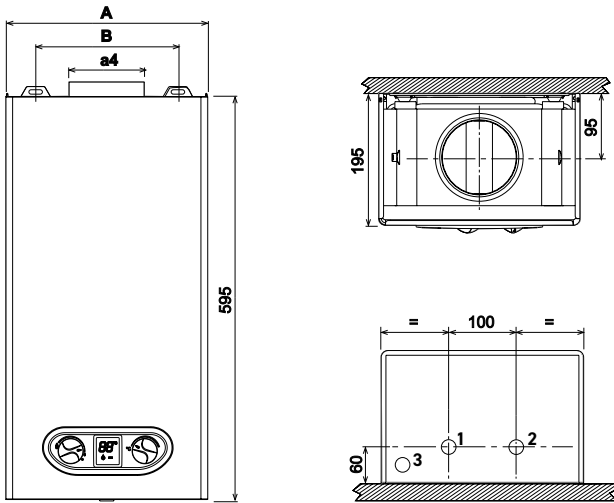


SI ECO F

KEY

- 1 Gas inlet \varnothing 3/4"
- 2 Cold water inlet \varnothing 1/2"
- 3 Hot water outlet \varnothing 1/2"

DIMENSIONS	ECO 7 / 10 / 11 / 12 F	ECO 14 F	ECO 17 F
A mm	295	335	375
E mm	210	250	290

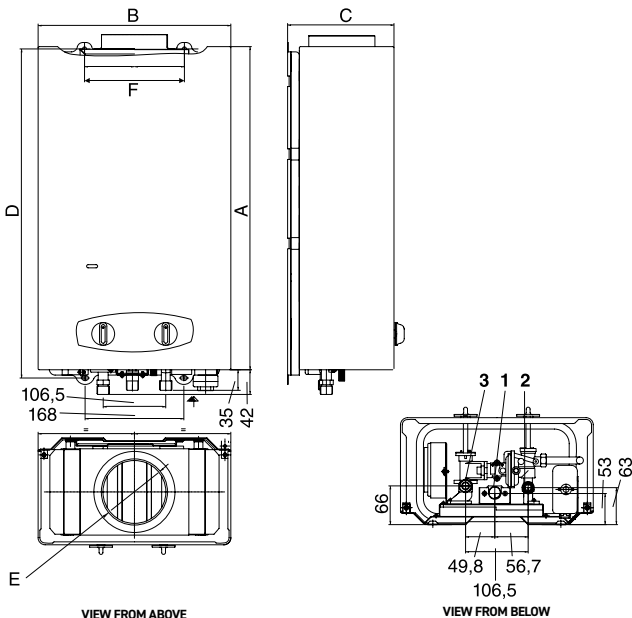


SI ECO C

KEY

- 1 Gas inlet \varnothing 3/4"
- 2 Cold water inlet \varnothing 1/2"
- 3 Hot water outlet \varnothing 1/2"

DIMENSIONS	ECO C 11
A mm	295
B mm	210
a4 \varnothing	110



JEREZ ECO

KEY

- 1 Gas inlet \varnothing 1/2"
- 2 Cold water inlet \varnothing 1/2"
- 3 Hot water outlet \varnothing 1/2"

DIMENSIONS	ECO 6	ECO 11	ECO 14
A	550	550	650
B	328	330	400
C	181	180	187
D	560	575	680
E	110	110	130
F	110	110	220