

Архангельск (8182)63-90-72
 Астана (7172)727-132
 Астрахань (8512)99-46-04
 Барнаул (3852)73-04-60
 Белгород (4722)40-23-64
 Брянск (4832)59-03-52
 Владивосток (423)249-28-31
 Волгоград (844)278-03-48
 Вологда (8172)26-41-59
 Воронеж (473)204-51-73
 Екатеринбург (343)384-55-89
 Иваново (4932)77-34-06

Ижевск (3412)26-03-58
 Иркутск (395)279-98-46
 Казань (843)206-01-48
 Калининград (4012)72-03-81
 Калуга (4842)92-23-67
 Кемерово (3842)65-04-62
 Киров (8332)68-02-04
 Краснодар (861)203-40-90
 Красноярск (391)204-63-61
 Курск (4712)77-13-04
 Липецк (4742)52-20-81

Магнитогорск (3519)55-03-13
 Москва (495)268-04-70
 Мурманск (8152)59-64-93
 Набережные Челны (8552)20-53-41
 Нижний Новгород (831)429-08-12
 Новокузнецк (3843)20-46-81
 Новосибирск (383)227-86-73
 Омск (3812)21-46-40
 Орел (4862)44-53-42
 Оренбург (3532)37-68-04
 Пенза (8412)22-31-16

Пермь (342)205-81-47
 Ростов-на-Дону (863)308-18-15
 Рязань (4912)46-61-64
 Самара (846)206-03-16
 Санкт-Петербург (812)309-46-40
 Саратов (845)249-38-78
 Севастополь (8692)22-31-93
 Симферополь (3652)67-13-56
 Смоленск (4812)29-41-54
 Сочи (862)225-72-31
 Ставрополь (8652)20-65-13

Сургут (3462)77-98-35
 Тверь (4822)63-31-35
 Томск (3822)98-41-53
 Тула (4872)74-02-29
 Тюмень (3452)66-21-18
 Ульяновск (8422)24-23-59
 Уфа (347)229-48-12
 Хабаровск (4212)92-98-04
 Челябинск (351)202-03-61
 Череповец (8202)49-02-64
 Ярославль (4852)69-52-93

Киргизия (996)312-96-26-47

Россия (495)268-04-70

Казахстан (772)734-952-31

<https://lamborghini.nt-rt.ru/> || hgc@nt-rt.ru



Prex H 3 Cond 65-1000

Three pass flue condensing generators

- Steel condensing heat generator with high water content, designed to work in conjunction with gas or oil jet burners
- Boiler with three smoke passes, with return pipe from the bottom of the combustion chamber (second pass) and shell and tube (third pass), built in stainless steel 2205 (Duplex) to guarantee the highest resistance to the corrosive effects of condensation
- Floating combustion chamber with wet bottom, low volumetric heat load and standard turbulators on the last flue gas pass
- Front close coupled door equipped with blind flange for securing the burner. All the parts in contact with the flue gas are coated with refractory material offering high resistance and thermal insulation. Reversible opening (right and left) and closing system and micro-metric adjustment on four points
- Double return fitting for low and high temperature systems
- Small front clearance to fit the generator through the accessways of thermal power plants
- High energy efficiency
- Maximum operating pressure 6 bar
- Heat transfer fluid circulation control system inside the body to improve exchange and avoid thermal shock
- "Satellite" control panel available in thermostatic version

Boiler code	Boiler model
ORGZ3AXD	Prex H 3 Cond 65
ORGZ4AXD	Prex H 3 Cond 100
ORGZ5AXD	Prex H 3 Cond 150
ORGZ8AXD	Prex H 3 Cond 230
ORGZBAXD	Prex H 3 Cond 370
ORGZDAXD	Prex H 3 Cond 500
ORGZGAXD	Prex H 3 Cond 650
ORGE00XD	PREX H 3 COND 820
ORGF00XD	PREX H 3 COND 1000

QQ2K10XA	Thermostatic control panel *
----------	-------------------------------------

* The generator is not supplied as per standard with control panel. It must be ordered to complete the supply

MODEL		65	100	150	230	370	500	650	820	1000	
ERP Class		A	N.A.	N.A.	N.A.	N.A.	N.A.	N.A.	N.A.	N.A.	
Heat input (kW)	Max	61.3	94.3	141.5	217	349.1	471.7	613.2	767	935	
	Min	18.4	28.3	42.5	65.1	104.7	141.5	184	498	608	
Effective rated output (80/60°C) (kW)	Max	59.5	91.5	137.3	210.5	338.6	457.5	594.8	752	916	
	Min	18	27.7	41.6	63.8	102.6	138.7	180.3	489	595	
Effective rated output (50/30°C) (kW)	Gas	Max	65	100	150	230	370	500	650	820	1000
		Min	19.7	30.3	45.4	69.7	112	151.4	196.8	533	650
	Oil	Max	62.9	96.7	145	222.4	357.8	483.5	628.5	793.5	967.7
		Min	19.1	29.4	44.2	67.7	108.9	147.2	191.3	516.7	630
Efficiency (50/30°C) (%)	Gas	Max	106	106	106	106	106	106	106	106	106
		Min	107	107	107	107	107	107	107	107	107
	Oil	Max	102.5	102.5	102.5	102.5	102.5	102.5	102.5	102.5	102.5
		Min	104	104	104	104	104	104	104	104	104
Efficiency 30%	Gas	Max	107.5	107.5	107.5	107.5	107.5	107.5	107.5	107.5	107.5
	Oil	Min	104.5	104.5	104.5	104.5	104.5	104.5	104.5	104.5	104.5
Max operating pressure	bar	6	6	6	6	6	6	6	6	6	
Flue gas side pressure drop	mbar	0.4	0.65	1.7	1.7	2	3.5	4.2	6	6.4	
Protection rating		IPX0D									
Electric power supply	V/Hz	230/50	230/50	230/50	230/50	230/50	230/50	230/50	230/50	230/50	
Empty weight	Kg	377	436	490	645	1035	1338	1451	2050	2150	

Архангельск (8182)63-90-72
 Астана (7172)727-132
 Астрахань (8512)99-46-04
 Барнаул (3852)73-04-60
 Белгород (4722)40-23-64
 Брянск (4832)59-03-52
 Владивосток (423)249-28-31
 Волгоград (844)278-03-48
 Вологда (8172)26-41-59
 Воронеж (473)204-51-73
 Екатеринбург (343)384-55-89
 Иваново (4932)77-34-06

Ижевск (3412)26-03-58
 Иркутск (395)279-98-46
 Казань (843)206-01-48
 Калининград (4012)72-03-81
 Калуга (4842)92-23-67
 Кемерово (3842)65-04-62
 Киров (8332)68-02-04
 Краснодар (861)203-40-90
 Красноярск (391)204-63-61
 Курск (4712)77-13-04
 Липецк (4742)52-20-81

Магнитогорск (3519)55-03-13
 Москва (495)268-04-70
 Мурманск (8152)59-64-93
 Набережные Челны (8552)20-53-41
 Нижний Новгород (831)429-08-12
 Новокузнецк (3843)20-46-81
 Новосибирск (383)227-86-73
 Омск (3812)21-46-40
 Орел (4862)44-53-42
 Оренбург (3532)37-68-04
 Пенза (8412)22-31-16

Пермь (342)205-81-47
 Ростов-на-Дону (863)308-18-15
 Рязань (4912)46-61-64
 Самара (846)206-03-16
 Санкт-Петербург (812)309-46-40
 Саратов (845)249-38-78
 Севастополь (8692)22-31-93
 Симферополь (3652)67-13-56
 Смоленск (4812)29-41-54
 Сочи (862)225-72-31
 Ставрополь (8652)20-65-13

Сургут (3462)77-98-35
 Тверь (4822)63-31-35
 Томск (3822)98-41-53
 Тула (4872)74-02-29
 Тюмень (3452)66-21-18
 Ульяновск (8422)24-23-59
 Уфа (347)229-48-12
 Хабаровск (4212)92-98-04
 Челябинск (351)202-03-61
 Череповец (8202)49-02-64
 Ярославль (4852)69-52-93

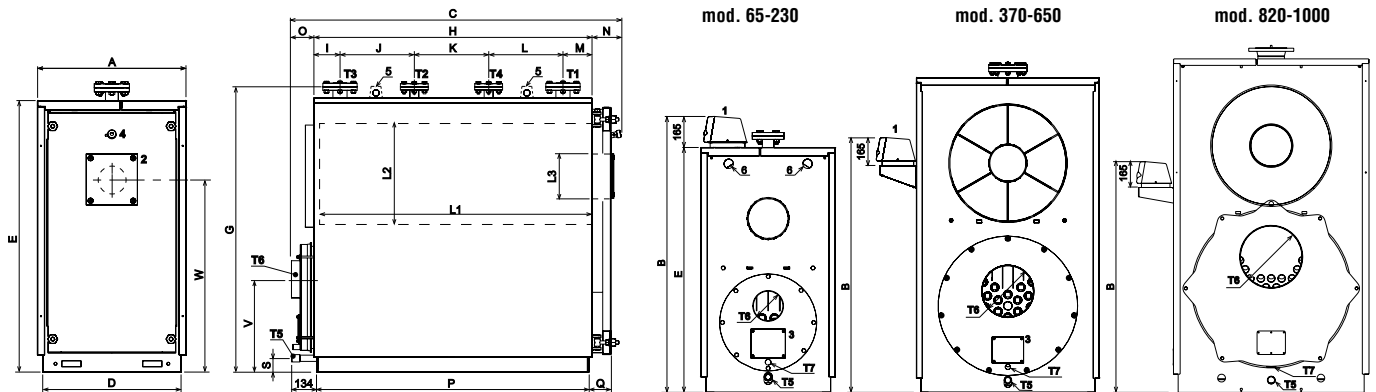
Киргизия (996)312-96-26-47

Россия (495)268-04-70

Казахстан (772)734-952-31

<https://lamborghini.nt-rt.ru/> || hgc@nt-rt.ru

Dimensions (in mm)



- T1 Heating delivery
- T2 High temperature return
- T3 Low temperature return
- T4 Safety fitting
- T5 Boiler discharge connection
- T6 Chimney connection
- T7 Condensate discharge connection
- 1 Tool panel
- 2 Burner connection flange
- 3 Flue gas chamber cleaning door
- 4 Flame control light

MODEL		65	100	150	230	370	500	650	820	1000	
Measurements	A	mm	700	700	700	800	950	1050	1050	1180	1180
	B	mm	1437	1437	1437	1637	1462	1462	1462	1424	1424
	C	mm	1157	1377	1577	1777	1987	2187	2387	2620	2620
	D	mm	650	650	650	750	900	1000	1000	1120	1120
	E	mm	1275	1275	1275	1475	1655	1805	1805	2006	2006
	G	mm	1335	1335	1335	1535	1715	1860	1860	2075	2075
	H	mm	878	1098	1298	1498	1698	1900	2100	2094	2094
	I	mm	123	123	123	142	172	179	179	224	224
	J	mm	200	260	350	400	450	500	600	650	650
	K	mm	200	300	320	400	450	500	600	300	450
	L	mm	200	260	350	400	450	500	500	600	600
	M	mm	155	155	155	156	176	221	221	320	320
	N	mm	157	157	157	157	167	167	167	278	273
	O	mm	122	122	122	122	122	120	120	262	262
	P	mm	846	1066	1266	1467	1667	1867	2067	2068	2216
	Q	mm	134	134	134	134	144	144	144	226	226
S	mm	80	80	80	80	70	70	70	78	78	
V	mm	450	443	435	500	550	587	580	830	830	
W	mm	905	905	905	1055	1200	1315	1315	1480	1480	
System flow	T1		DN 50	DN 50	DN 50	DN 65	DN 80	DN 100	DN 100	DN 125	DN 125
High temperature system return	T2		DN 40	DN 40	DN 40	DN 40	DN 50	DN 65	DN 65	DN 65	DN 65
Low temperature system return	T3		DN 50	DN 50	DN 50	DN 65	DN 80	DN 100	DN 100	DN 125	DN 125
Safety fitting	T4		DN 40	DN 40	DN 40	DN 40	DN 50	DN 65	DN 65	DN 80	DN 80
Boiler discharge	T5		1"	1"	1"	1"	1"	1"	1" 1/2	1" 1/2	
Flue gas outlet	T6	EØ mm	160	160	160	200	250	300	300	350	350
Hearth length	L1	mm	686	906	1106	1308	1473	1672	1872	1980	2130
Internal diameter of the hearth	L2	Ø mm	420	420	420	500	550	610	610	700	700
Max nozzle diameter	L3	Ø mm	155	155	155	155	190	190	190	270	270
Nozzle length min / max		mm	160/230	160/230	160/230	160/230	160/230	160/230	160/230	320/390	320/390